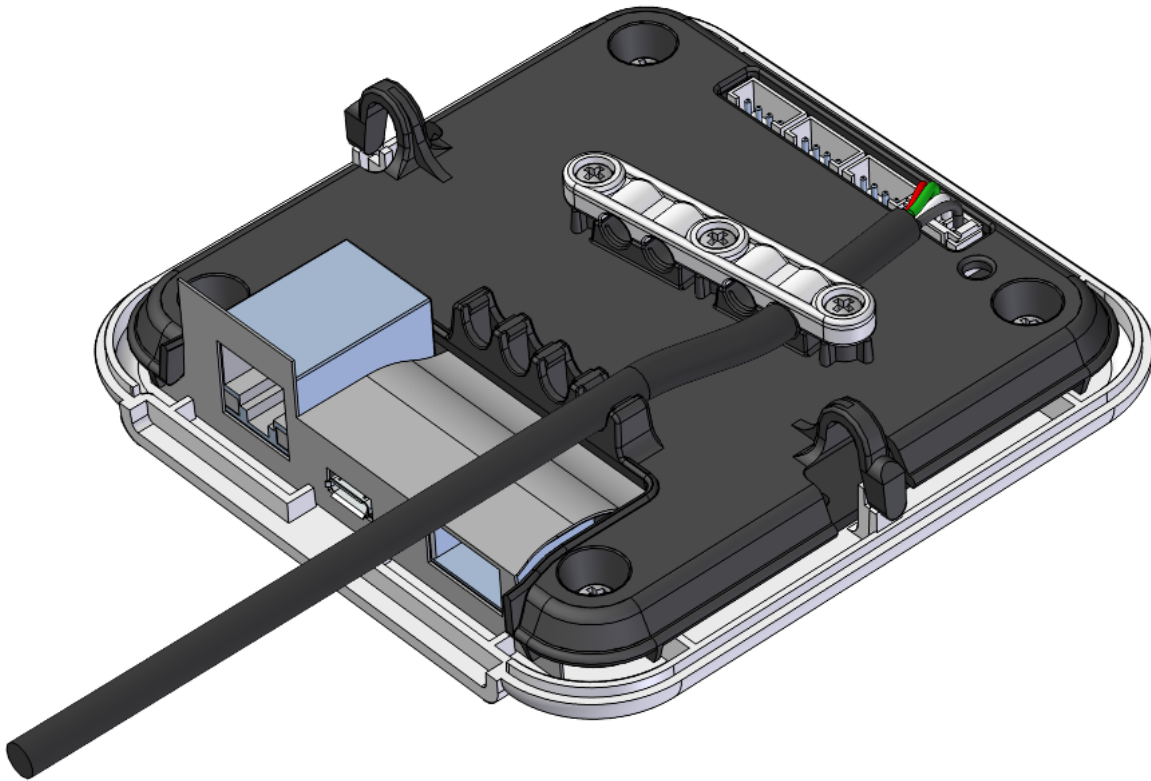




6. Securing the Leak Detector cable

Refit the cable clamp and the back of your SWS. The Leak Detector cable should be securely held inside the SWS, without the cable stretching.



With the Leak Detector connected, it's time to check the GUI again to make sure that it has registered.

[Back](#)[Next](#)