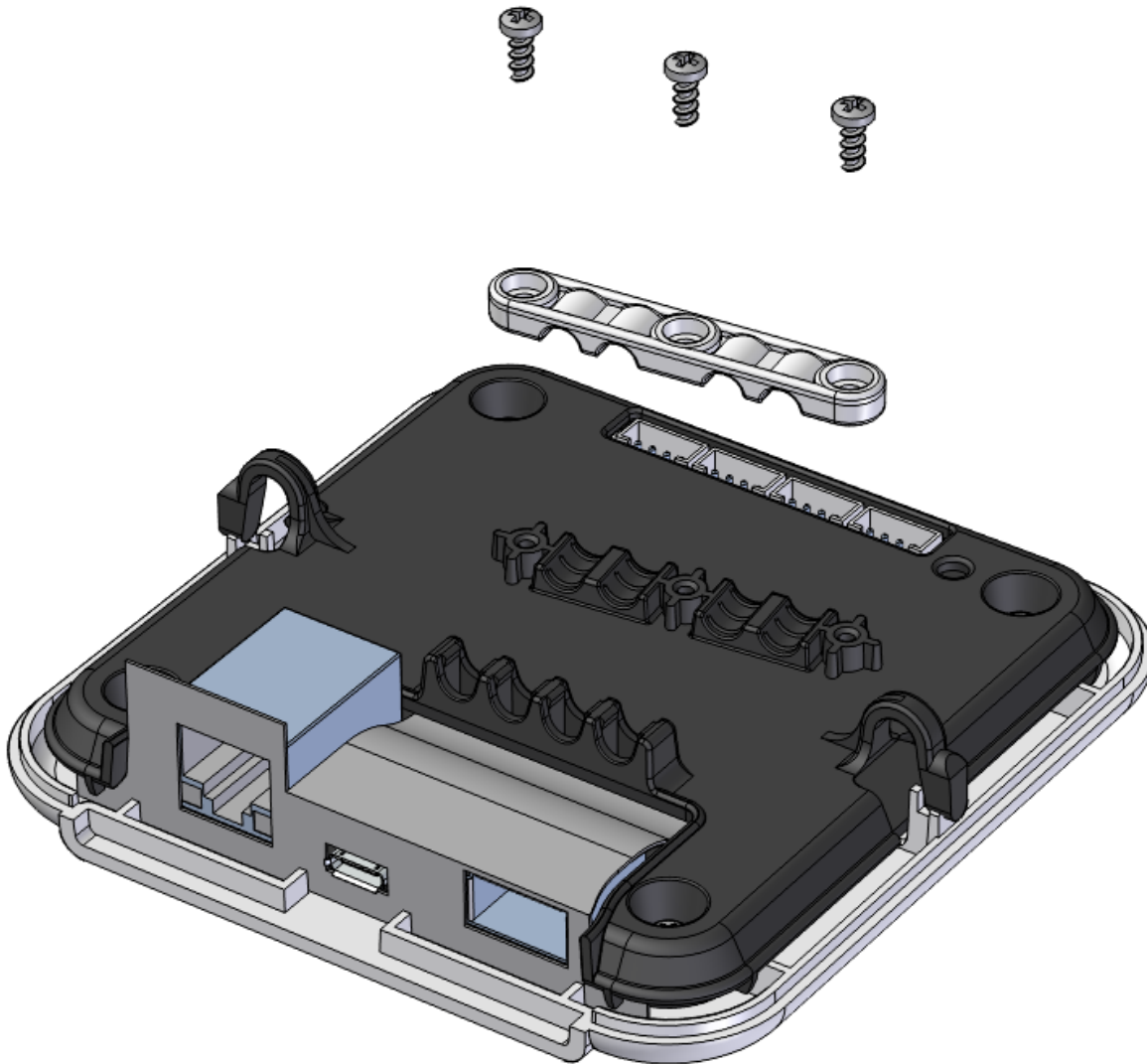




4. Unscrewing the cable clamp

Remove the cable clamp by undoing the three screws:



Back

Next